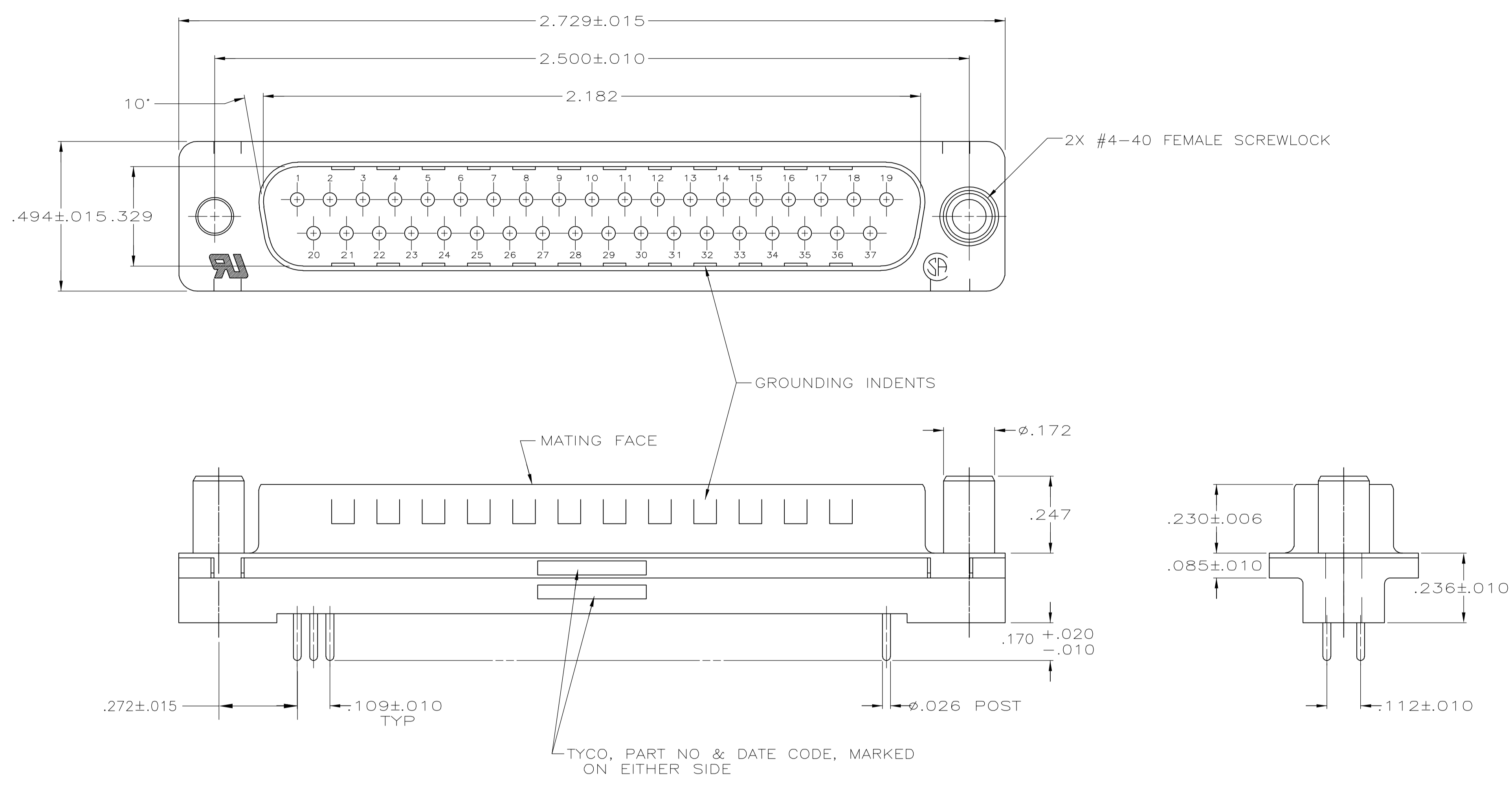
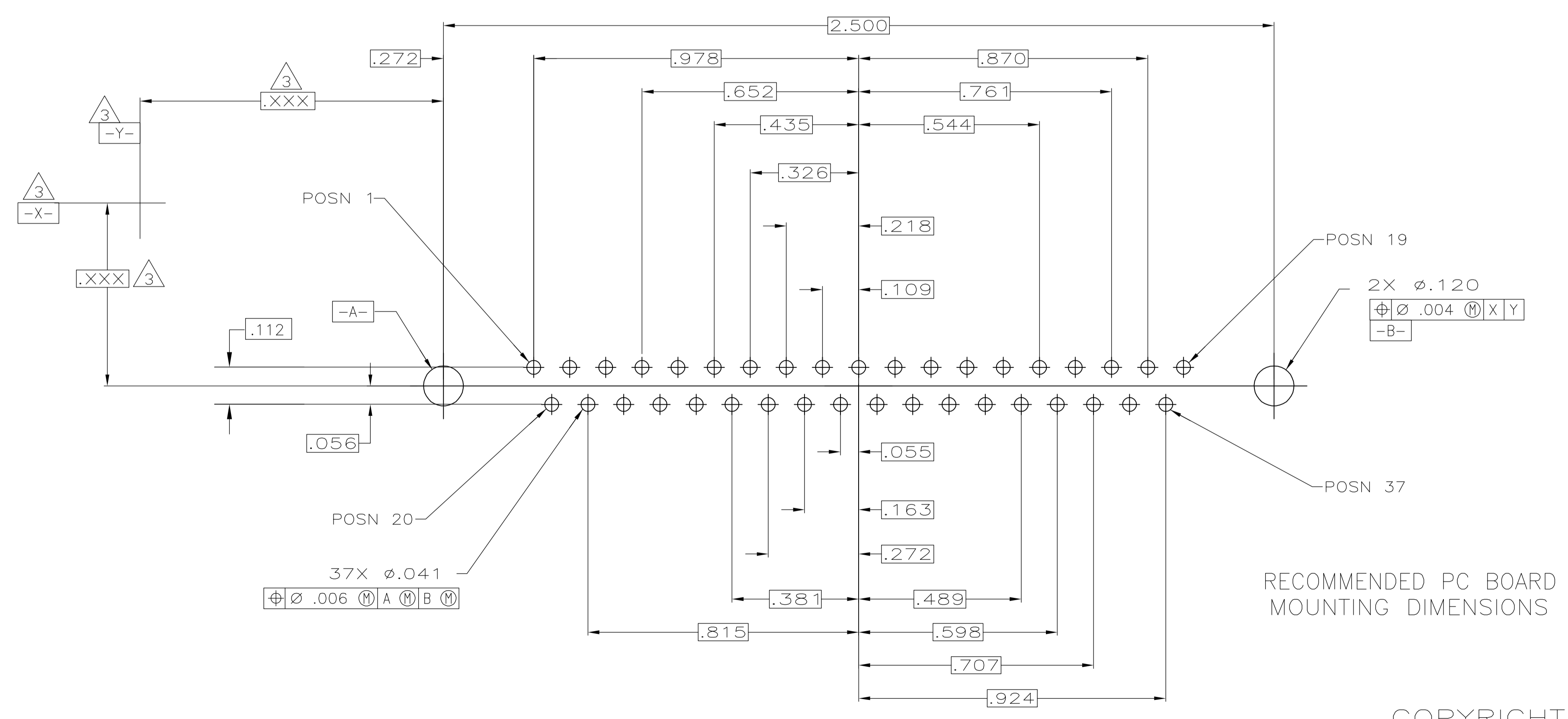


| LOC | | DIST | | REVISIONS | | | |
|-----|----|---------------------------|----------|-----------|-------|--|--|
| GP | 00 | REV | DATE | BY | APP'D | | |
| B | | REVISED PER ECO-06-028339 | 3/JAN/07 | ZMREDB | | | |



- 1 HOUSING: FLAME RETARDANT, 94V-0 RATED, THERMOPLASTIC; COLOR: BLACK
SHELL: CARBON STEEL
CONTACTS: BRASS
SCREWLOCKS: ZINC
- 2 SHELL: .000200 MIN TIN OVER .000100 MIN COPPER
SCREWLOCKS: UNPLATED
CONTACTS: GOLD PLATED FOR A LENGTH OF .150 MIN FROM MATING END,
.000030 MIN GOLD IN MATED AREA, .000100 MIN TIN ON TERMINATION END, ALL
OVER .000050 MIN NICKEL ON ENTIRE CONTACT.
-OR-
GOLD FLASH OVER PALLADIUM NICKEL PLATED FOR A LENGTH OF .150 MIN FROM
MATING END, .000030 MIN PALLADIUM NICKEL IN MATED AREA, .000100 MIN TIN
ON TERMINATION END, ALL OVER .000050 MIN NICKEL ON ENTIRE CONTACT.
- 3 DATUMS AND BASIC DIMENSIONS ESTABLISHED BY CUSTOMER.



COPYRIGHT 2005
 TYCO ELECTRONICS CORP
 ALL RIGHTS RESERVED

2-5747705-1
 PART NO

| | | | | | | |
|----------------------------------------|--|-------------------|----------|-------------------------------|-----------------------------------------------------------|--------------|
| THIS DRAWING IS A CONTROLLED DOCUMENT. | | DWG B. LATTUCA | 27SEPT05 | | Tyco Electronics Corporation Harrisburg, PA 17105-3608 | |
| DIMENSIONS: INCHES | | CHK S. BOLASH | 27SEPT05 | | APPROV M. WALMSLEY | 27SEPT05 |
| TOLERANCES UNLESS OTHERWISE SPECIFIED: | | 0 PLC ± - | | PRODUCT SPEC 108-40025 | | SIZE A1 |
| | | 1 PLC ± - | | APPLICATION SPEC 114-40023 | | |
| | | 2 PLC ± - | | WEIGHT | | SCALE 4:1 |
| | | 3 PLC ± .005 | | DRAWING NO 00779 | | |
| | | 4 PLC ± - | | DRAWING NO 5747705 | | SHEET 1 OF 1 |
| | | ANGLES ± ± - | | REV | | |
| MATERIAL | | FINISH | | CUSTOMER DRAWING | | REV B |